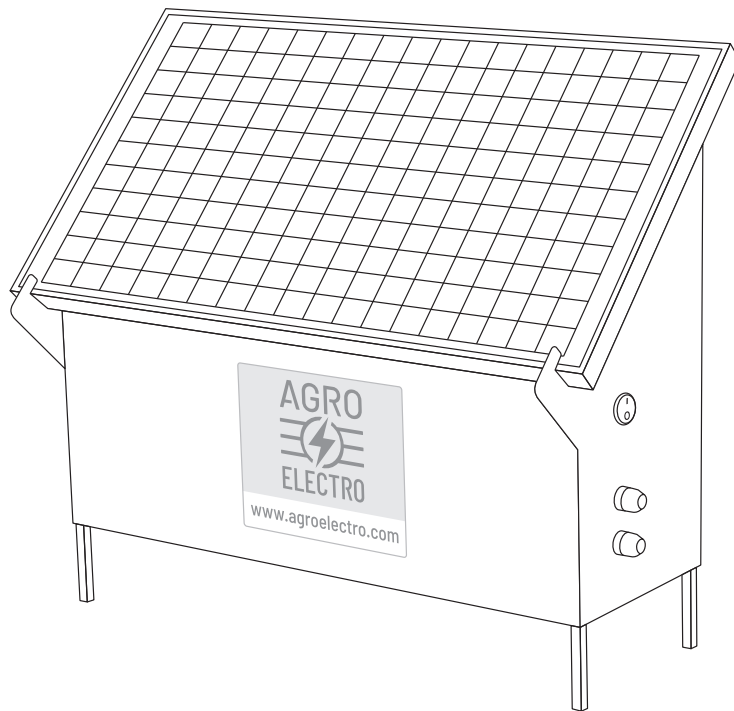


ECO-COMPACT ELECTRIC FENCE ENERGIZER DL 3200 – DL 4500



User manual

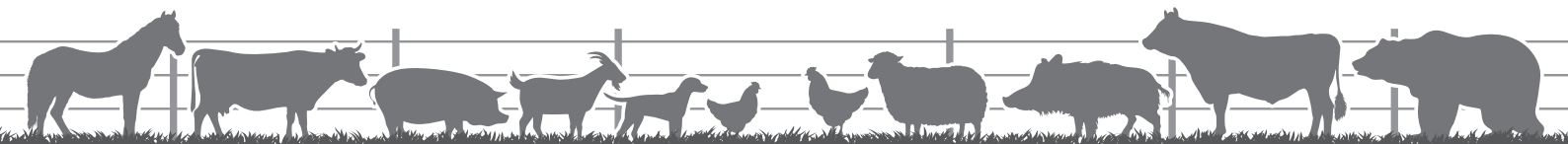
English

Manual de utilizare

Română

Használati útmutató

Magyar



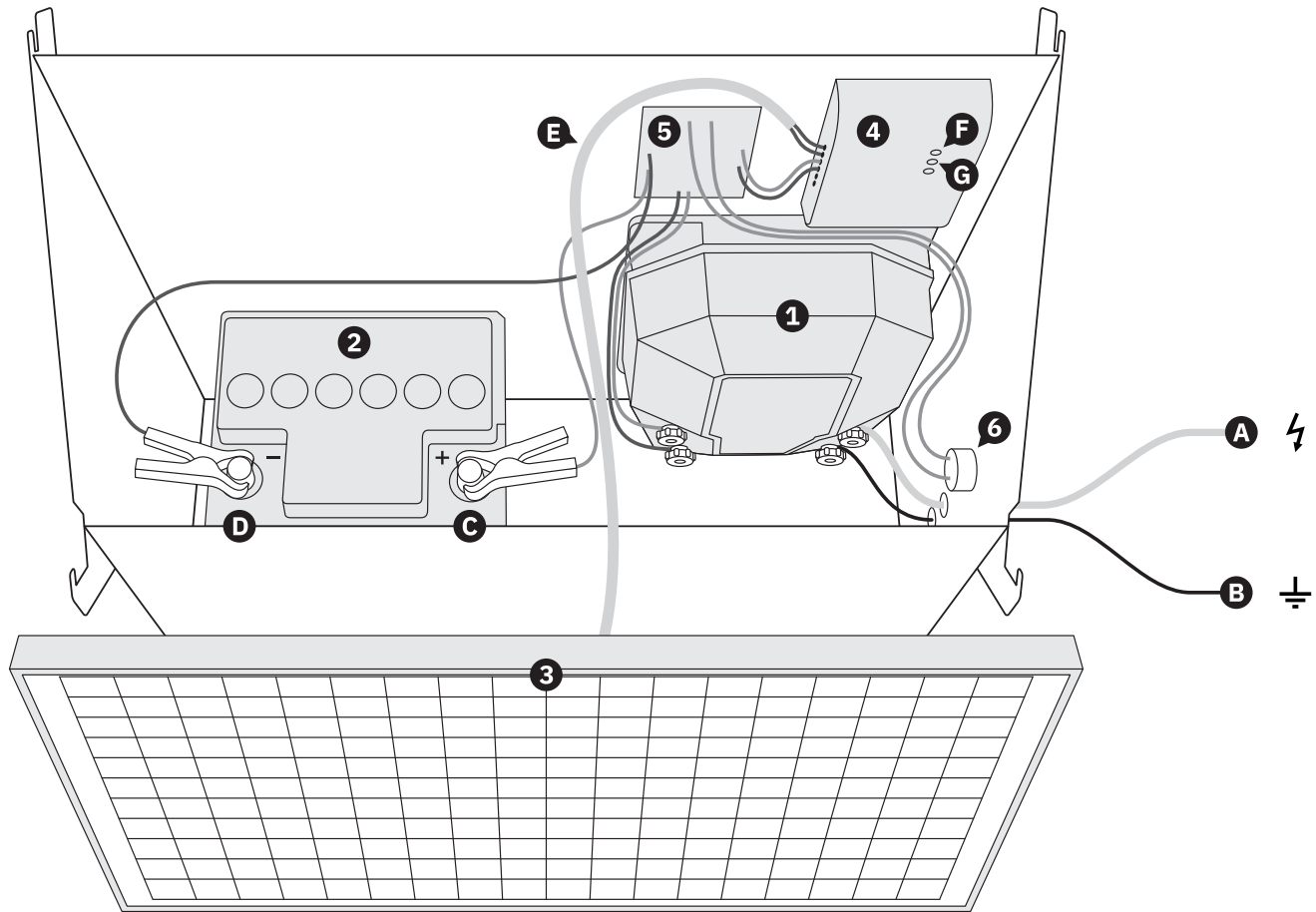


Fig. A

The elements of the system

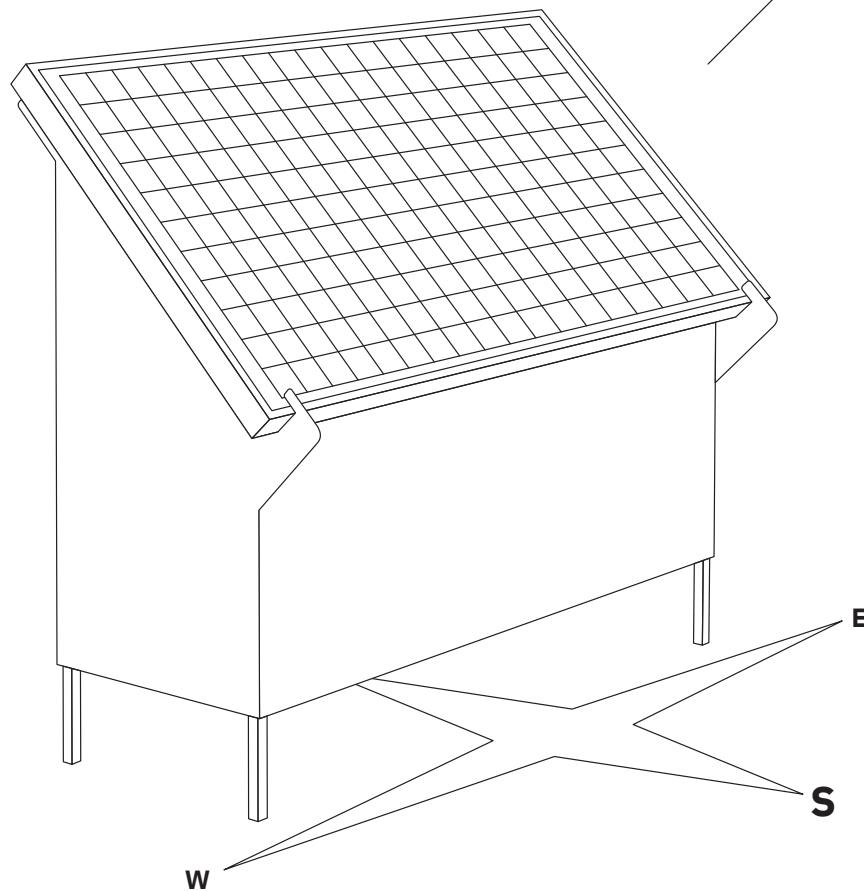
- 1** – Electric fence energizer device
- 2** – Accumulator (not included in the package)
- 3** – Solar panel
- 4** – Charge controller
- 5** – Over-voltage protection
- 6** – Energizer on/off switch
- A** – Electric fence connection cable
- B** – Ground connection cable
- C** – Accumulator positive pole clamp
- D** – Accumulator negative pole clamp
- E** – Solar panel connection cable
- F** – Charge indicator
- G** – Charge level indicator

Note:

Please refer to these figures while reading the user manual.

Fig. B

Mount the system in a place free of shadows, with the solar panel facing toward south.



User manual – DL 4500

Compact electric fence energizer

The compact electric fence device is a convenient and safe solution for electrifying *temporary* or *permanent* electric fences in areas where there is no access to the 230 V mains.

The system can operate autonomously even for years, it only requires minor interventions, such as checks on the proper functioning of the accumulator, regular cleaning of the solar panel and maintenance of the electric fence.

The system is completely assembled in a compact box and contains all necessary elements to operate independently of the 230 V mains. Benefits:

- Robust, moisture-resistant metal box (rain, snow, water splashes).
- On the outside, the system is equipped with a switch, through which the electric fence energizer can be easily turned on/off, without the need to open the box.
- The accumulator is continuously recharged by the solar panel.
- Over-voltage protection – When the accumulator is accidentally disconnected, in full sunlight, the voltage generated by the solar panel may increase greatly, which can damage the electric fence energizer device. The system includes an additional electronic circuit that protects against this situation.
- Moving the whole system (in order to move the temporary electric fence) is very easy, reassembly in another place is very simple.

Specifications

Energizer device	DL 3200	DL 4500
Supply voltage	12 V $\overline{\text{---}}$	
Consumption	110 mA	170 mA
Max. voltage at 500 Ω load	7600 V	8900 V
Maximum practical fence length	7000 m	12000 m
Maximum stored energy	4,16 Joule	5,85 Joule
Maximum impulse energy	3,2 Joule	4,5 Joule
Degree of protection	IPX4	
Solar panel	30 W, monocrystalline	

Elements of the system

The elements of the system can be identified on the Figure A. as follows:

- ① – Electric fence energizer device.
- ② – 12 V accumulator (not included in the package).
- ③ – Solar panel.
- ④ – Charge controller.
- ⑤ – Over-voltage protection.
- ⑥ – Energizer on/off switch.
- Ⓐ – Electric fence connection cable.
- Ⓑ – Ground connection cable.
- Ⓒ – Accumulator positive pole clamp.
- Ⓓ – Accumulator negative pole clamp.
- Ⓔ – Solar panel connection cable.
- Ⓕ – Charge indicator.
- Ⓖ – Charge level indicator.

Installation

The box should be mounted in a place free of shadows, near the electric fence, so that the solar panel **3** is facing toward south. Create the ground nearby, connect the ground wire **B**, then connect the blue wire **A** to the electric fence through a connector.

The grounding

For proper operation, the system needs a good grounding – when touching the fence wires the electrical circuit closes through the ground, therefore the quality of the ground is as important as the quality of the all other components of the fence. For grounding, use a galvanized metal rod with a length of at least 1 m, which has to be driven into the ground at least 1 m deep. An M12 threaded metal rod is ideal for this purpose, as the ground cable **B** can be easily connected to this.

In the case of long electric fences (over a few kilometers), or if the soil is mostly dry, create several interconnected grounds, located a few meters away of each other, to improve the efficiency of the electric fence.

Under no circumstances connect the ground of the system to an existing grounding – for example to the ground of the 230 V mains. You must create a separate grounding in the immediate vicinity of the system.

The accumulator **2**

To store the energy, use a 12 V lead-acid car accumulator **2**. Attention: the accumulator is not included in the package! DO NOT use other type of accumulator, such as Ni-MH or Li-ion! Please purchase a capacity of min. 45 Ah. The maximum capacity is not limited but it is determined by the size that fits in the box.

The accumulator should be connected by the clamps **C** and **D**.

- Red clamp **C** = positive (+) pole of the accumulator.
- Black clamp **D** = negative (–) pole of the accumulator.

Starting the system

Before all, check the position of the on/off **6** switch. It has to be in **O** position.

In the first step connect the accumulator by the clamps **C** and **D**. Caution: do not allow the power cords to touch the high voltage output ⚡ of the electric fence energizer **1** under any circumstances!

In the second step, check the lights on the charge controller to determine the correct operation of the system (study the chapter named "The charge controller" below). Both LED lamps **F** and **G** must be continuously green.

In the last step start the electric fence energizer by moving the **6** switch to the **I** position.

The operation of the device can be tracked by sound: you should hear electric discharge sounds approximately every second.

Stopping the system

To turn off the energizer device, move the switch **6** to the **O** position.

To turn off the system completely, it is not enough to move the switch **6** to the **O** position, because the solar panel continuously generates electricity, which leaves in operation all the electronic circuits inside the box.

To move or store the system, follow the steps below:

- Make sure the switch **6** is in **O** position.
- Cover the solar panel with a light-blocking material (cardboard, black nylon bag) to stop generating electricity.
- Disconnect the accumulator, then remove it from the metal box to prevent breaking the electronic circuits and the corrosion caused by acid leakage from the accumulator.

The charge controller **4**

The charge controller ensures the stabilization of the variable voltage produced by the solar panel, protects against reverse polarity and controls the correct charging of the accumulator.

The controller has two important LED indicator **F** and **G** which show important information regarding the state of the accumulator:

F Charging indicator

- Off – No charging.
- Continuous green – Charging.
- Slow flashing green — Maintaining the charged state of the accumulator.
- Fast flashing green — Maintenance mode of the accumulator (buck charge, desulfation).

ⓘ | Normally this light has to be continuously green.

G Charge level indicator

- Flashing green — Maximum charge level.
- Continuous green — Normal charge level.
- Continuous orange — Low charge level.
- Continuous red — Very low charge level.
- Flashing red — Accumulator depleted.

ⓘ | Normally this light has to be continuously green.

When the color turns into orange or red, switch off for a while the electric fence energizer to allow the efficient recharge of the accumulator.

The electric fence energizer ④

The electric fence energizer generates short, high voltage electrical pulses with a period of approximately one second. These pulses are conducted into the wires of the electric fence. When an animal touches the fence wire, the electrical circuit closes through the ground. The suffered shock is not dangerous, but it has an extremely unpleasant effect, the animals that touch the wires of the electric fence, will learn very quickly to stay away.

The electric fence energizer has to be connected to the fence via the blue cable. This cable has a special insulation, so it can touch the box, the posts, trees, etc., it can even be touched with bare hands without electrocution (of course the bare end of the cable is an exception). This cable has to be connected (with a connector) to one of the wires of the electric fence (since the rows of wires of the electric fence must be bridged at distances of at least 100 meters, the high voltage pulses will reach each row of wires). It is recommended to bridge the fence wires right where the blue cable is connected.

⚠ | Avoid altering the electrical connections while the energizer device operates, especially with the blue cable left bare! If a high voltage pulse touches a nearby electronic circuit, it destroys instantly! This also applies to other electronic devices, such as mobile phones, electronic watches, cameras, etc. – carefully avoid bringing these devices close to the electric fence device, the pulse output, or even to the wires of the electric fence!

LEDs on the device:

- Left – The device is under operation.
- Right – Normally off, it turns on in red if the supply voltage drops below 10.5 V (discharged accumulator). This situation is also indicated by the charge controller ④ via the LED ⑥ (in this case, switch off the device to allow the effective recharging of the accumulator, or consider replacing it with a charged one).

Maintenance and inspection

Although the system may operate autonomously for months, or even years, you will need regular inspection and maintenance to avoid unpleasant surprises (such as escaped animals) due to a discharged accumulator, or unwanted short circuits of the fence wires, caused by vegetation.

Periodically clean the surface of the solar panel with a damp cloth! Dust deposits, leaves, significantly reduce its efficiency, which can cause rapid discharge of the accumulator.

Avoid discharging the accumulator at night or in mostly cloudy weather by regularly monitoring the indicator lights F and G on the charge controller ④. If the color of the LED ⑥ changes to orange or red, temporarily turn off the energizer device to allow recharging the accumulator. Optionally, the accumulator can be replaced with a spare one to prevent the interruption of the system.

Check the entire fence frequently and eliminate the growing vegetation that touches the wires. Short circuits caused by vegetation significantly reduce the efficiency of the electric fence.

For an efficient operation of the electric fence, the voltage in the wires must be at least 2000 V. Measuring the voltage is possible only with a special measuring instrument (called an electric fence tester).

We strongly recommend to purchase such a tester. DO NOT use digital or analog measuring devices, these will be destroyed instantly on the contact with the high voltage!

Warranty

Thank you for choosing this compact electric fence energizer! We offer a warranty of **24 months**, starting with the date on the invoice. During this period we will fix or replace the defective elements for free, but only when the warranty conditions below are fulfilled.

In the event of any defect during the warranty period please contact us by e-mail at **office@agroelectro.ro**, or by phone at **+40 724 776 515** for the possible remediation the problem, or to discuss the shipping details of the defective components.

The average usage duration of the products is five years. For this period, the buyer benefits, for a fee, of post-warranty service, with original parts.

The warranty conditions are regulated by the Romanian law and our company's business policies, based on the following laws and emergency government decrees: O.G. 21/1992, based on the 449/2003 law, modified by O.U.G. 174/2008, O.U.G. 34/2014 and by O.G. 9/2016. The consumer rights are not affected in any way by the provided warranty.

1. Conditions

1. To validate the warranty, the buyer must provide this Certificate of Warranty and a proof of the purchase – invoice/receipt.
2. The warranty period begins on the date written on the invoice.
3. The warranty period is extended by the fixing period of the product, from the date of delivery for repair to the date of restoration and written notification to the consumer. The extension of the warranty period will be written in this Certificate of Warranty.
4. The shipping costs of returning/receiving back the product (round trip) must be paid by the buyer. The shipment will be made by an express courier.
5. The seller is not responsible for damages caused by natural phenomena (lightning, floods, earthquakes, humidity), fires, negligence in operation, mechanical damages, etc.

6. Damages such as scratches or breakage of removable or non-removable parts of the product, that were not reported to the seller at the time of purchase, are not covered by the warranty.
7. Damages caused during the return shipment of the product, due to improper packaging, falls to the responsibility of the buyer.

2. Losing the warranty

The product warranty is granted only if the products are used properly, as intended, and also certain administrative conditions are met. The product warranty is lost in the following cases:

1. The present Certificate of Warranty cannot be provided, along with the invoice/receipt of the purchase.
2. The product was not used properly:
 - Improper or erroneous electrical connections.
 - Incorrect supply voltage.
 - The electronic circuits were altered.
3. Mechanical damage caused by accidents, shocks, vibrations, or other forms of physical abuse.
4. Thermal damage due to fire, or other heat-related natural disasters.
5. Use of the product in unsuitable environmental conditions – actions of chemical materials, noxious substances, smoke, extreme dust or moisture. Product damage caused by bad weather.
6. Modification or unsealing of the product by unqualified or unauthorized persons or companies. The improper repairs of the product can affect its safety and may cause irreparable damage. In order to avoid these situations, we recommend to you carry out any repairs exclusively at Agro Electrosistems SRL.
7. The finding of the fact (by the specialists of the company Agro Electrosistems SRL) that the claimed defect is due to the fault of the buyer.

Instrucțiuni de utilizare

Aparat gard electric compact DL 4500

Aparatul de gard electric compact este o soluție comodă și sigură, pentru electrificarea gardurilor electrice *temporare* sau *permanente*, în zonele unde nu există acces la rețeaua de 230 V.

Sistemul poate să funcționeze autonom chiar ani de zile, necesită intervenții minore, cum ar fi verificări legate de buna funcționare a acumulatorului, curățarea periodică a panoului solar și întreținerea traseului gardului electric.

Sistemul este complet asamblat într-o cutie și conține toate elementele necesare pentru a funcționa independent de rețeaua electrică de 230 V. Beneficii:

- Cutie robustă, rezistentă la umezeală (ploaie, zăpadă, stropi de apă).
- În partea exterioară, sistemul este prevăzut cu un comutator, prin care se poate porni/opri cu ușurință aparatul de gard electric, fără să fie nevoie de deschiderea cutiei.
- Reîncărcarea acumulatorului este asigurat de panoul solar în mod continuu.
- Protecție la supratensiune – deconectarea accidentală a acumulatorului în vreme de soare plin poate cauza creșterea tensiunii generate de panoul solar, ceea ce poate deteriora aparatul de gard electric. Cutia include un circuit electronic adițional care protejează împotriva acestui accident.
- Mutarea sistemului (în scopul mutării gardului electric temporar) este foarte ușoară, reasamblarea într-un alt loc este foarte simplă.

Specificații

Tip aparat	DL 3200	DL 4500
Tensiunea de alimentare	12 V $\overline{---}$	
Consum	110 mA	170 mA
Tensiunea max. la sarcină de 500 Ω	7600 V	8900 V
Lungime max. împrejmuire practică	7000 m	12000 m
Energie maximă stocată	4,16 Joule	5,85 Joule
Energie maximă impuls	3,2 Joule	4,5 Joule
Grad de protecție	IPX4	
Panou solar	30 W, monocristalin	

Elementele sistemului

Identificați elementele sistemului pe Fig. A, după cum urmează:

- ① – Aparat gard electric.
- ② – Acumulator.
- ③ – Panou solar.
- ④ – Regulator de încărcare.
- ⑤ – Circuit protecție la supratensiune.
- ⑥ – Comutator pornit/oprit aparat gard electric.
- Ⓐ – Cablu de ieșire impuls (conexiune gard electric).
- Ⓑ – Cablu împământare.
- Ⓒ – Clemă pol pozitiv acumulator.
- Ⓓ – Clemă pol negativ acumulator.
- Ⓔ – Cablu conexiune panou solar.
- Ⓕ – Indicator de încărcare.
- Ⓖ – Indicator nivel încărcare.

Instalare

Cutie se montează într-un loc ferit de umbră, în apropierea gardului electric, astfel încât panoul solar ③ să fie orientat spre sud. Creați împământarea, legați cablul de împământare ⑦ la aceasta, după care legați cablul albastru Ⓐ la firele gardului electric printr-un conector.

Împământarea

Pentru o funcționare corectă, sistemul are nevoie de o împământare bună – deoarece la atingerea firelor gardului, circuitul electric se închide prin pământ, calitatea împământării este la fel de importantă ca și calitatea celorlalte componente din sistem! Pentru împământare utilizați o bară metalică filetată M12, cu lungimea de 1 m, pe care o introduceți în pământ la o adâncime de 1 m. Cabul de împământare **B** a sistemului poate fi conectat la aceasta cu ușurință.

În cazul gardurilor electrice lungi (peste câțiva kilometri), sau dacă solul este preponderent uscat, creați mai multe împământări interconectate, așezate la câțiva metri distanță, în scopul îmbunătățirii eficienței gardului electric.

A nu se conecta împământarea sistemului în nici un caz la o împământare deja existentă – de exemplu la împământarea rețelei electrice de 230 V. În mod obligatoriu creați o împământare locală, în imediata vecinătate a sistemului.

Acumulatorul **2**

Pentru stocarea energiei utilizați un acumulator auto plumb-acid de 12 V **2**. Atenție, acumulatorul nu este inclus în pachet! NU utilizați alt tip de acumulator, cum ar fi Ni-MH sau Li-ion! Procurați un acumulator cu capacitatea minimă de 45 Ah. Capacitatea maximă a acumulatorului este limitată de dimensiunea cutiei.

Acumulatorul se conectează cu clemele **C** și **D**.

- Clema roșie **C** = borna pozitivă (+) de la acumulator.
- Clema neagră **D** = borna negativă (−) de la acumulator.

Pornirea sistemului

Înainte de toate verificați poziția comutatorului pornit/oprit **6**. Aceasta trebuie să fie în poziția **O**.

Pasul 1: conectați acumulatorul prin clemele **C** și **D**. Atenție: cablurile de alimentare să nu se atingă în nici un caz de ieșirea de înaltă tensiune **⚡** a aparatului de gard electric **1**!

Pasul 2: verificați luminile indicatoare ale regulatorului pentru a constata starea de încărcare a acumulatorului (consultați paragraful

"Regulatorul de încărcare" mai jos). Ambele LEDuri **F** și **G** trebuie să lumineze în continuu verde.

Pasul 3: porniți aparatul de gard electric prin mutarea comutatorului **6** în poziția **I**. Funcționarea aparatului se poate urmări după sunet: trebuie să auziți sunete de descărcare electrică aproximativ în fiecare secundă.

Oprirea sistemului

Pentru a opri generatorul de impulsuri (aparatul de gard electric) mutați comutatorul **6** în poziția **O**.

Pentru a opri sistemul de tot, nu ajunge mutarea comutatorului **6** în poziția **O**, deoarece panoul solar generează în continuu electricitate, ceea ce lasă în funcțiune toate circuitele electronice aflate în interiorul cutiei.

În scopul mutării sau a depozitării sistemului parcurgeți pașii de mai jos:

- Asigurați-vă că poziția comutatorului **6** se află în **O**.
- Acoperiți panoul solar cu un material care blochează eficient lumina (carton, sac nailon negru), pentru a opri producerea electricității.
- Deconectați acumulatorul, apoi scoateți-l din cutia metalică pentru a preveni ruperea circuitelor electronice și corозиunile cauzate de curgerea acidului din acumulator.

Regulatorul de încărcare **4**

Regulatorul asigură stabilizarea tensiunii variabile produse de panoul solar, protejează împotriva polarității inverse și controlează încărcarea corectă a acumulatorului.

Regulatorul are două LEDuri indicatoare importante **F** și **G** care oferă informații despre starea acumulatorului:

F Indicator de încărcare

- Stins – Nu se încarcă.
- Verde, continuu – Încărcare acumulator.
- Verde intermitent lent – Menținere acumulator în stare încărcată.
- Verde intermitent rapid – Desulfatare (recondiționare) acumulator.

i În mod normal acest indicator trebuie să aibă lumină verde continuă.

ⓐ Indicator nivel de încărcare

- Verde intermitent – Nivel de încărcare maxim.
- Verde continuu – Nivel de încărcare normal.
- Portocaliu continuu – Nivel de încărcare scăzut.
- Roșu continuu – Nivel de încărcare foarte scăzut.
- Roșu intermitent – Acumulator descărcat.

ⓘ În mod normal acest indicator trebuie să aibă lumină verde continuă. **În cazul în care indicatorul are o culoare portocalie sau roșie, pentru un anumit timp opriți aparatul de gard electric în vederea încărcării eficiente a acumulatorului.**

Aparatul de gard electric ④

Aparatul de gard electric generează impulsuri electrice scurte, de înaltă tensiune, cu o perioadă de cca. o secundă. Aceste impulsuri sunt conduse în firele gardului electric. În momentul în care un animal atinge firul gardului, circuitul electric se închide prin pământ. Electrocutarea suferită nu este periculoasă, dar are un efect extrem de neplăcut, animalele care se ating de firele gardului electric, vor învăța foarte repede să stea la distanță.

Generatorul de impulsuri se conectează la firele gardului prin cablul albastru. Acest cablu are o izolație specială, așadar poate să se atingă de cutie, stâlpi, copaci, etc., chiar se poate prinde cu mâna goală fără a electrocuta (bineînțeles prezintă excepție capătul gol al cablului). Acest cablu se conectează ferm (cu un conector) la unul dintre firele gardului electric (deoarece rândurile de fire ale gardului electric trebuie interconectate la distanțe de cel puțin 100 metri, impulsurile de înaltă tensiune vor ajunge în fiecare rând de fire). De preferință creați o interconectare a rândurilor chiar în locul conexiunii cu cablul albastru.

⚠ Evitați manipularea conexiunilor în timpul funcționării aparatului de gard electric, în special cu cablul albastru lăsat gol! Dacă un impuls de înaltă tensiune se atinge de un circuit electronic din vecinătate, le distruge instantaneu! Acest lucru este valabil și pentru alte dispozitive electronice, cum ar fi telefon mobil, ceas electronic, aparat foto, etc. – evitați cu mare atenție apropierea acestor dispozitive de aparatul de gard electric, de ieșirea de impulsuri, sau chiar de firele gardului electric!

LEDuri pe aparat

- Stânga – aparat sub tensiune.
- Dreapta – în mod normal stins, se aprinde roșu dacă tensiunea de alimentare scade sub 10,5 V (acumulator descărcat). Această situație este indicată și de regulatorul de încărcare ④ prin LEDul ⑥ (în acest caz opriți aparatul pentru a permite reîncărcarea acumulatorului, sau preschimbați acumulatorul cu unul încărcat).

Întreținere și verificare

Deși sistemul poate să funcționeze autonom luni, sau chiar ani de zile, veți avea nevoie de întreținerea periodică pentru a evita surprizele neplăcute, din cauza unui acumulator descărcat, sau scurtcircuitate nedorite ale firelor gardului, cauzate de vegetație.

Curățați periodic suprafața panoului solar cu o cârpă umedă! Depunerile de praf, frunze, reduc semnificativ eficiența acestuia, ceea ce poate cauza descărcarea rapidă a acumulatorului.

Evitați descărcarea acumulatorului pe timp de noapte sau în vreme preponderentă înnoată prin monitorizarea periodică a luminilor indicatoare ⑦ și ⑧ de pe regulator ④. Dacă se schimbă culoarea LEDului ⑥ în portocaliu sau în roșu, opriți temporar aparatul de gard electric pentru a permite reîncărcarea eficientă a acumulatorului. Opțional se poate înlocui acumulatorul cu unul ținut de rezervă, pentru a preveni întreruperea funcționării sistemului.

Verificați frecvent întregul gard electric și eliminați vegetația care se atinge de firele acestuia. Scurtcircuiturile datorite creșterii vegetației reduc semnificativ eficiența gardului electric.

Pentru o funcționare eficientă a gardului electric, tensiunea în fire trebuie să aibă cel puțin 2000 V. Măsurarea tensiunii este posibilă doar cu un instrument de măsură special (numit tester pentru gard electric). Vă recomandăm cu tărie procurarea unui astfel de tester. NU utilizați aparate de măsură digitale sau analogice, acestea se vor distruge instantaneu la contactul cu tensiunea înaltă!

Garanție

Vă mulțumim că ați ales acest sistem de gard electric compact! Acordăm o garanție de **24 luni** începând cu data emiterii facturii.

În cazul apariției oricărei defecțiuni în perioada de garanție vă rugăm să ne contactați prin e-mail la **office@agroelectro.ro**, sau telefonic pe numărul **+40 724 776 515** în vederea remedierii problemei, sau pentru a discuta detaliile de returnare a produselor defecte.

Durata medie de utilizare a ansamblului este de cinci ani. Pentru această perioadă cumpărătorul beneficiază, contra cost, de service post garanție, cu piese originale.

Garanția produselor este acordată în conformitate cu prevederile O.G. 21/1992 și cu Legea 449/2003, modificată și completată ulterior cu O.U.G. 174/2008, O.U.G. 34/2014 și O.G. 9/2016. Drepturile consumatorului nu sunt afectate în niciun fel prin garanția oferită.

1. Condiții de garanție

1. În cazul solicitărilor de reparații în garanție, cumpărătorul este obligat să prezinte acest certificat de garanție, împreună cu factura/chitanța originală de cumpărare a produselor.
2. Perioada de garanție acordată de fabricant decurge de la data cumpărării (data emiterii facturii).
3. Perioada de garanție se prelungește cu timpul de nefuncționare a produsului, scurs de la data predării acestuia pentru reparare și până la data repunerii în stare de funcționare și a notificării în scris a consumatorului despre acest lucru. Prelungirea termenului de garanție se va înscrie în prezentul certificat.
4. Plata transportului pentru produsele trimise (tur-retur) în vederea soluționării garanției revine în responsabilitatea cumpărătorului, iar expedierea se va face prin intermediul curierului rapid.
5. Producătorul nu este răspunzător de daunele provocate produsului de către fenomenele naturale (trăsnet, inundații, cutremur, umiditate), incendii, neglijență în exploatare, deteriorări mecanice, etc.

6. Deteriorările de genul zgârieturi sau rupturi ale elementelor demontabile sau nedemontabile care nu au fost aduse la cunoștința vânzătorului în momentul achiziționării nu sunt acoperite de garanție.

7. Deteriorările cauzate în timpul returnării produsului, datorite împachetării neadecvate, cad în responsabilitatea cumpărătorului.

2. Pierderea garanției

Garanția produselor se acordă doar în condițiile în care produsele sunt utilizate în mod corespunzător, de asemenea dacă sunt satisfăcute anumite condiții administrative. Garanția produselor se pierde în următoarele cazuri:

1. Neprezentarea chitanței/facturii originale de cumpărare a produsului, însoțită de prezentul certificat de garanție.
2. Utilizarea produsului în alt regim de lucru decât cel pentru care a fost conceput:
 - Conexiuni electrice greșite, sau nerecomandate de producător.
 - Tensiune de alimentare necorespunzătoare.
 - Modificări ale circuitelor electronice.
3. Modificări mecanice necorespunzătoare.
4. Deteriorări mecanice cauzate de accidente, șocuri, vibrații, lovituri sau alte forme de acțiuni mecanice.
5. Deteriorări termice, datorită incendiilor.
6. Utilizarea produsului în condiții de mediu necorespunzătoare – acțiunea substanțelor chimice, noxe, fum, praf sau umiditate. Defectarea produsului cauzată de intemperii.
7. Modificarea sau desigilarea produsului de către persoane sau firme, necalificate sau neautorizate. Reparațiile necorespunzătoare efectuate asupra produsului pot afecta securitatea acestuia și pot produce defecțiuni iremediabile. Pentru a evita aceste situații vă recomandăm efectuarea oricăror reparații/verificări în exclusivitate la firma Agro Electrosistems SRL.
8. Constatarea faptului (de către specialiștii firmei Agro Electrosistems SRL) că defectul reclamat este cauzat din vina cumpărătorului.

Használati útmutató – DL 4500

Kompakt villanypásztor készülék

A kompakt villanypásztor készülék kényelmes és biztos megoldás *ideiglenes*, vagy *permanens* kerítések villamosítására, olyan helyeken, ahol nincs lehetőség a 230 V-os hálózatra csatlakozni.

A rendszer teljesen önfenntartó, hónapokon, akár éveken keresztül képes működni, csupán kis, időszakszerű karbantartásra szorul, mint pl. az akkumulátor állapotának ellenőrzése, a napelemes panel letakarítása, vagy pedig a növényzet megtisztítása a villanypásztor vezetékai körül.

A rendszer egy kompakt dobozba van szerelve és tartalmaz minden olyan elemet, ami a 230 V-os hálózattól független működéséhez szükséges. Előnyei:

- Merev, tartós fémszekrény, ami a nedvességgel szemben (vízcseppek, eső, hó) védett helyen tartja az elektronikus áramköröket.
- A doboz külsején kapcsoló található, amellyel a villanypásztor készülék beindítható/leállítható a rendszer felnyitása nélkül.
- Az akkumulátor töltését folyamatosan biztosítja a napelemes panel.
- Túlfeszültség elleni védelem – az akkumulátor véletlenszerű lecsatolása napos időben túlfeszültség megjelenését okozhatja, ami a villanypásztor készülék meghibásodását vonja maga után. A rendszer tartalmaz egy külön áramkört, ami a túlfeszültség megjelenése esetén lekapcsolja a villanypásztor készülék táplálását.
- A rendszer költöztetése (az ideiglenes villanypásztor kerítés mozgatását követően) könnyedén kivitelezhető, egy újabb helyen való üzembe állítása igencsak egyszerű.

Paraméterek

Készülék típusa	DL 3200	DL 4500
Tápfeszültség	12 V ---	
Fogyasztás	110 mA	170 mA
Max. kimenő fesz. 500 Ω terhelés alatt	7600 V	8900 V
Maximális gyakorlati kerítéshossz	7000 m	12000 m
Maximális tárolt energia	4,16 Joule	5,85 Joule
Maximális impulzus energia	3,2 Joule	4,5 Joule
Nedvességvédelem	IPX4	
Napelemes panel	30 W, monokristályos	

A rendszer elemei

A rendszer elemeit az A. ábrán azonosíthatja:

- ① – Villanypásztor készülék.
- ② – 12 V-os akkumulátor.
- ③ – Napelemes panel.
- ④ – Töltésvezérlő.
- ⑤ – Túlfeszültség-védelem.
- ⑥ – Villanypásztor készülék ki-be kapcsoló.
- Ⓐ – Kerítés-csatlakozás.
- Ⓑ – Földelés-csatlakozás.
- Ⓒ – Akkumulátor-csatlakozás, pozitív pólus.
- Ⓓ – Akkumulátor-csatlakozás, negatív pólus.
- Ⓔ – Napelemes panel-csatlakozás.
- Ⓕ – Töltés LED.
- Ⓖ – Töltésszint LED.

Üzembe helyezés

A rendszert a kerítés közelében kell üzembe helyezni, úgy, hogy a napelemes panel **dél irányába** mutasson és a nap teljes időtartamaiban ne vetüljön rá árnyék. Hozza létre a földelést, majd kösse rá a földelés-vezetékét ③, ezt követően kösse a kék kábelt Ⓐ a villanypásztor kerítés vezetékéhez.

A földelés

A helyes működéshez a rendszernek szüksége van egy jó földelésre – a villanypásztor működésének szerves része a földelés, mivel a vezeték érintése során az áramkör a földön keresztül zárul, ezért a földelés minősége épp annyira fontos, mint a villanypásztor kerítés többi része. A földelés elkészítéséhez használjon egy hosszú, legalább 1 m-es fémrudat, amit a földbe sulykol. Egy M12-es menetet, galvanizált fémrúd a legcélszerűbb választás, mivel a földelés vezeték **ⓑ** ehhez csatlakoztatható a legkönnyebben.

A hosszú (több kilométeres) kerítések esetében, vagy pedig ha a föld túlnyomó részt száraz jellegű, hozzon létre több, egymástól pár méterre elhelyezett földelést a rendszer hatékonyságának növelése érdekében.

Semmiképp se kösse a rendszer földelését egy már meglévő rendszerre – pl. a 230 V-os hálózat földelésére! Szigorúan különálló földelést kell létrehozni a villanypásztor rendszernek.

Az akkumulátor **ⓐ**

A begyűjtött energia tárolására használjon egy 12 V-os savas autóakkumulátort **ⓐ**. Figyelem, az akkumulátort NEM tartalmazza a csomag! NE használjon más típusú akkumulátort, mint pl. Ni-MH vagy Li-ion! Szerezzen be egy min. 45 Ah-ás kapacitással rendelkező akkumulátort. A maximális kapacitás nem korlátozott, csupán az a feltétel, hogy a dobozban férjen el az akkumulátor.

Az akkumulátort a **ⓐ** és **ⓓ** csipeszekkel kell csatlakoztatni.

- Piros csipesz **ⓐ** = pozitív pólus (+)
- Fekete csipesz **ⓓ** = negatív pólus (–)

A rendszer beindítása

Mindenekelőtt ellenőrizze a **ⓐ** kapcsoló állását. Ez az **ⓐ** állásban kell legyen. Első lépésben csatlakoztassa az akkumulátort a **ⓐ** és **ⓓ** csipeszekkel. Gondosan ügyeljen a csatlakoztatás során arra, hogy a tápvezetékek egyike se érintse a villanypásztor készülék **ⓐ** magasfeszültségű (⚡) kimenetét!

Második lépésben ellenőrizze a töltésvezérlő LED-jeit a rendszer helyes működésének megállapítására (tanulmányozza a "A

töltésvezérlő" című fejezetet alább). Mindkét LED (**ⓑ** és **ⓐ**) folyamatosan zölden kell világítson.

Utolsó lépésben indítsa be a villanypásztor készüléket a **ⓐ** kapcsolóval. A készülék működése hang alapján is megállapítható: körülbelül másodpercenként kattogó hangot kell kiadjon.

A rendszer leállítása

A villanypásztor készülék leállításához állítsa a **ⓐ** kapcsolót **ⓐ** állásba.

A rendszer teljes leállításához ez viszont nem elég, mivel a napelemes panel folyamatosan generálja az elektromosságot, ami működésben tartja a rendszert alkotó elektronikus áramköröket.

A rendszer költöztetése, vagy raktározása esetén a következőképpen járjon el:

- Ellenőrizze a **ⓐ** kapcsoló állását, ez az **ⓐ** pozícióban kell álljon.
- Takarja le a napelemes panel felületét egy fényzáró anyaggal (pl. kartonpapír), vagy pedig húzzon rá egy fekete nejlonzsákot, az elektromos áram fejlesztésének leállítására céljából.
- Csatlakoztassa le az akkumulátort, majd távolítsa el a dobozból, ahhoz, hogy megakadályozza az elektromos áramkörök törését szállítás közben, és hogy elkerülje az akkumulátorsav által okozott korróziót.

A töltésvezérlő **ⓐ**

A töltésvezérlő biztosítja a napelemből származó, változó feszültség stabilizálását, véd a fordított polaritás ellen, és kontroll alatt tartja az akkumulátor töltését.

A töltésvezérlőn két fontos LED található **ⓑ** és **ⓐ**, ezek fontos információkat közölnek az akkumulátor állapotáról:

ⓑ Töltés

- Sötét – Nincs töltés.
- Folyamatos zöld – Töltés.
- Lassan villogó zöld – Az akkumulátor teljesen feltöltött állapotban való tartása.
- Gyorsan villogó zöld – Az akkumulátor szulfátmentesítése (karbantartása).

ⓐ | Normál állapotban ez a LED zölden kell világítson.

ⓐ Töltöttségi szint

- Villogó zöld – Maximális töltöttségi szint.
- Folyamatos zöld – Normál töltöttségi szint.
- Folyamatos narancssárga – Alacsony töltöttségi szint.
- Folyamatos piros – Nagyon alacsony töltöttségi szint.
- Villogó piros – Lemerült akkumulátor.

ⓘ Normál állapotban ez a LED zölden kell világítson. **Ha a színe narancssárgára, vagy pirosra vált, egy időre kapcsolja ki a villanypásztor készüléket az akkumulátor hatékony újratöltéséhez.**

A villanypásztor készülék ⓐ

A villanypásztor készülék rövid, kb. másodperces periódusú, magasfeszültségű impulzusokat generál, amiket a kerítés vezetőkeibe vezetünk. A magasfeszültségű vezeték érintése során az elektromos áramkör a földön keresztül zárul. Az áramütés az egészségre ugyan nem káros, de rendkívül kellemetlen érzéssel és félelemkeltéssel társul, így az állatok rövid időn belül megtanulják a kerítéstől való tisztes távolságtartást.

A készüléket a kék kábel által kell a kerítéshez csatlakoztatni. Ennek a kábelnek speciális magasfeszültségű szigetelése van, ezáltal hozzáérhet a fémszkevényhez, oszlopokhoz, fákhoz, stb., sőt, akár kézzel is megfogható az áramütés veszélye nélkül (nyilván kivételt képez a kábel csupaszc vége). A kábelt a kerítés egyik vezetőkére kell kötni (mivel a kerítés vezetőkeit kb. 100 méterenként össze kell hidalni, a magasfeszültség mindegyik vezetőekben jelen lesz). Ajánlott összehidalni a kerítés vezetőkeit épp a magasfeszültségű csatlakozás pontján.

⚠ Semmiképp se mozgassa, módosítsa a szekrényben lévő elektromos csatlakozásokat a villanypásztor készülék működése közben, főleg ha a magasfeszültségű (kék) kábel szabadon van hagyva! Ha bármilyen elektromos áramkör magasfeszültségű impulzust kap, azonnal meghibásodik! Ez érvényes minden más elektromos készülékre is, mint pl. mobiltelefon, elektromos karóra, fényképezőgép, stb. – gondosan kerülje ezeknek a magasfeszültségű kimenethez, vagy a villanypásztor vezetőkeihez való közelítését!

A villanypásztor készüléken lévő LED-ek:

- Bal oldali LED – A készülék betáplálását jelzi.
- Jobb oldali LED – normál körülmények között sötét, akkor világít pirosan, ha a készülék tápfeszültsége 10,5 V alá esik (lemerült az akkumulátor). Ezt az állapotot a töltésvezérlő ⓐ is jelzi, a ⓐ LED által (ebben az esetben állítsa le a készüléket az akkumulátor újratöltéséhez, vagy pedig cserélje ki az akkumulátort egy feltöltöttel).

Karbantartás

Habár a rendszer hónapokig, akár évekig önműködő, időnként karbantartásra és ellenőrzésekre van szükség, ahhoz, hogy a kellemetlen meglepetéseket elkerülje (pl. elszökött állatok), amiket a különféle faktorok okozhatnak, mint pl. lemerült akkumulátor, a növények által okozott rövidzárlatok a kerítésen, stb.

Időközönként takarítsa le a napelemes panel felületét egy nedves textíliával. A napelem felületére rakódott por, falevelek, állati eredetű szennyeződések jelentősen csökkentik a rendszer hatékonyságát, ami az akkumulátor idő előtti lemerüléséhez vezethet!

Előzze meg az akkumulátor éjszakai, vagy pedig túlnyomó részt felhős időben való lemerülését, azáltal, hogy időnként ellenőrzi a ⓐ töltésvezérlő ⓐ és ⓐ jelzéseit. Ha a töltésvezérlő ⓐ LED-je narancssárgára, vagy pirosra vált, állítsa le egy időre a villanypásztor készüléket az akkumulátor hatékony újratöltéséhez, vagy pedig cserélje le az akkumulátort egy feltöltött pótakkumulátorral a rendszer megszakítatlan működése érdekében.

Időnként járja körbe a villanypásztor kerítést és távolítsa el a ránőtt növényzetet. A vezetőekkel érintkező növényzet által kialakuló rövidzárlatok jelentősen csökkentik a rendszer hatékonyságát.

A helyes működéshez a villanypásztor kerítés vezetőkeiben legalább 2000 V feszültség kell legyen. A feszültség mérése csakis külön erre a célra kialakított villanypásztor-teszterrel lehetséges. Mindenképpen ajánljuk egy ilyen teszter beszerzését. A hagyományos digitális, vagy analóg mérőműszerekkel NEM mérhető a magasfeszültség, ezek azonnal meghibásodnak az első próbálkozás alkalmával.

Garancia

Köszönjük, hogy a jelen kompakt villanypásztor készüléket választotta kínálatunkból! A számla kiállításának dátumától számítva **24 hónap** garanciát vállalunk a rendszer elemeinek működésére.

A felmerülő technikai, illetve működésbeli problémákkal kapcsolatosan kérjük, vegye fel a kapcsolatot velünk az **info@agroelectro.hu** e-mail címen, vagy pedig a **+36 20 984 8038** telefonszámon, a problémameghárítást tekintve, vagy pedig a termék visszaküldésével kapcsolatos információkért.

A termékek átlagos használati időtartama 5 év. Ez idő alatt a vásárló a hivatalos garanciális időszakon kívül, térítés ellenében, szakszerű, eredeti cserealkatrészekkel való javítást vehet igénybe.

A garanciafeltételeket a cégünk üzletpolitikája és a Román állam törvénykezési szabályozásai határozzák meg, az alábbi törvények és sürgősségi kormányrendeletek alapján: O.G. 21/1992, a 449/2003 törvény szerint, módosítva az O.U.G. 174/2008, O.U.G. 34/2014 és O.G. 9/2016 által. A vásárló jogait nem módosítják a garanciafeltételek.

1. Garanciafeltételek

1. A garanciális javítások esetében a vásárló köteles felmutatni a jótállási bizonyítványt és az eredeti vásárlási bizonyítványt (pl. számla, nyugta).
2. A jótállási időszak a számla kiállításának időpontjával kezdődik.
3. A garancia időszaka meghosszabbodik a termék visszaküldésének dátumától számítva a cégünk által írásba foglalt javítás/csere dátumáig. A garancia időszakának meghosszabbítása belekerül a jelen garancia-bizonylatba.
4. A termékek visszaküldésének és visszaszolgáltatásának postaköltségét a vásárlónak kell fizetnie. A szállítás minden esetben gyorspostai szolgálattal történik.
5. A gyártó nem vonható felelősségre a természeti csapások által okozott károkért (villámcsapások, áradások, földrengések, víz okozta károk, tüzek), felelőtlen felhasználás és baleset általi működésképtelenségek miatt.

6. A különféle elemek baleset/törés általi meghibásodása, amely nem volt leközölve cégünknek a termék átvételekor, semmisnek nyilvánul a garanciális feltételekben.
7. A termék visszaküldése során elszennvedett meghibásodások, károk nem számítanak bele a garanciális feltételekbe, ha a vásárló hanyagul csomagolta a visszaküldendő terméket.

2. A garancia elvesztése

A garanciális feltételek csakis akkor érvényesek, ha a termékek rendeltetészerűen vannak használva, továbbá, bizonyos adminisztratív feltételek rendben vannak. A garanciához való jog elvesztődik, ha az alábbi feltételek nem teljesülnek:

1. A termék beszerzésének számlája/nyugtája nem mutatható fel a jelen garancia-bizonylattal.
2. A termék felhasználása nem történt teljesen rendeltetészerűen, az alábbiak szerint:
 - Hibás, vagy nem javasolt elektronikai kötések.
 - Nem megfelelő tápfeszültség alkalmazása.
 - Az elektronikus áramkörök módosítása.
3. A termék meghibásodása mechanikai behatások által jött létre: esés, törés, vibrációk, ütések, stb.
4. Hőtorzulások – pl. tűzvész, vagy más hőmérséklet-jellegű természeti csapások.
5. A termék nem lett megfelelő környezetben üzembe helyezve – extrém vegyi anyagok általi korróziók, extrém füst-, vagy nedvességátások.
6. A termékek módosítása, vagy javítása nem az erre felhatalmazott személyek/cégek által történt. A nem megfelelő módosítások/javítások visszavonhatatlan károkat okozhatnak a készülékekben ezért feltétlenül javasoljuk a hibaelhárítási folyamatokat az Agro Electrosistems Kft.-re bízni.
7. Az Agro Electrosistems Kft. szakemberei szerint a készülék(ek) meghibásodása a felhasználó hibájából történt.